



Chemical Metering Pumps

www.sidewinderpumps.com

AC Powered Chemical Pump



Sidewinder Pumps

Phone: 337-235-9838

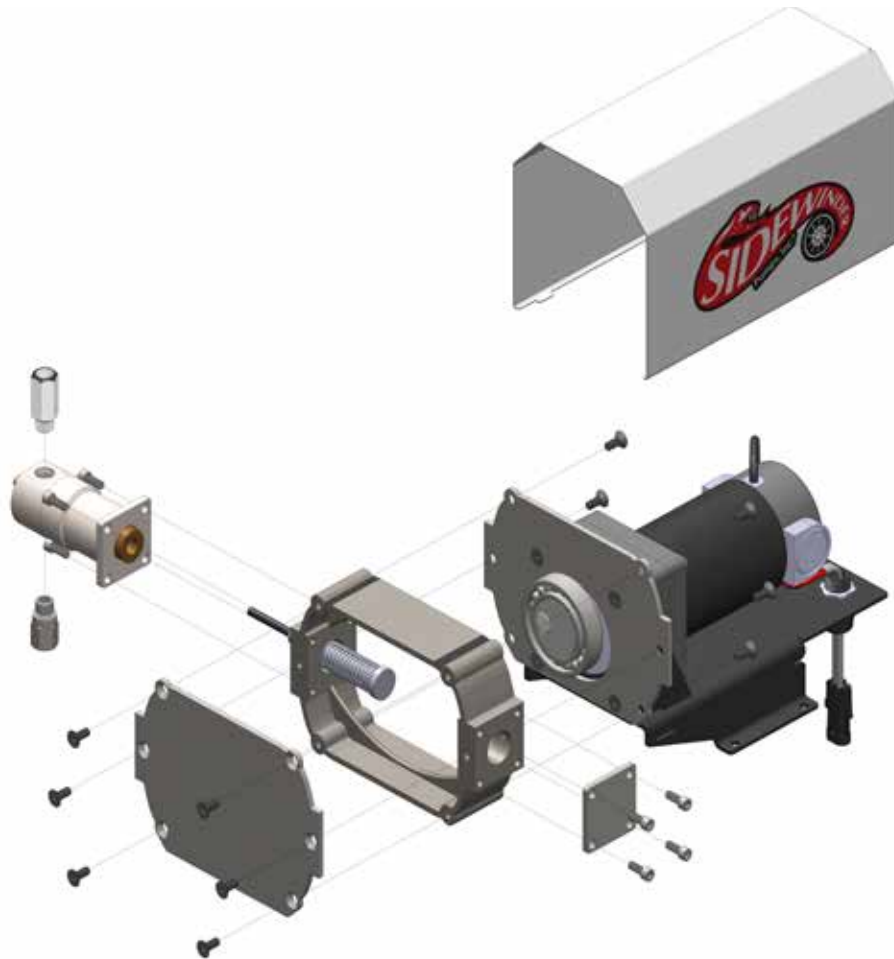
Website: www.sidewinderpumps.com

email: info@sidewinderpumps.com



Chemical Metering Pumps
www.sidewinderpumps.com

The Sidewinder AC Powered Chemical Metering Pump, introducing innovation and simplicity for a more reliable, energy efficient pump that provides lower maintenance cost and ease of repair.

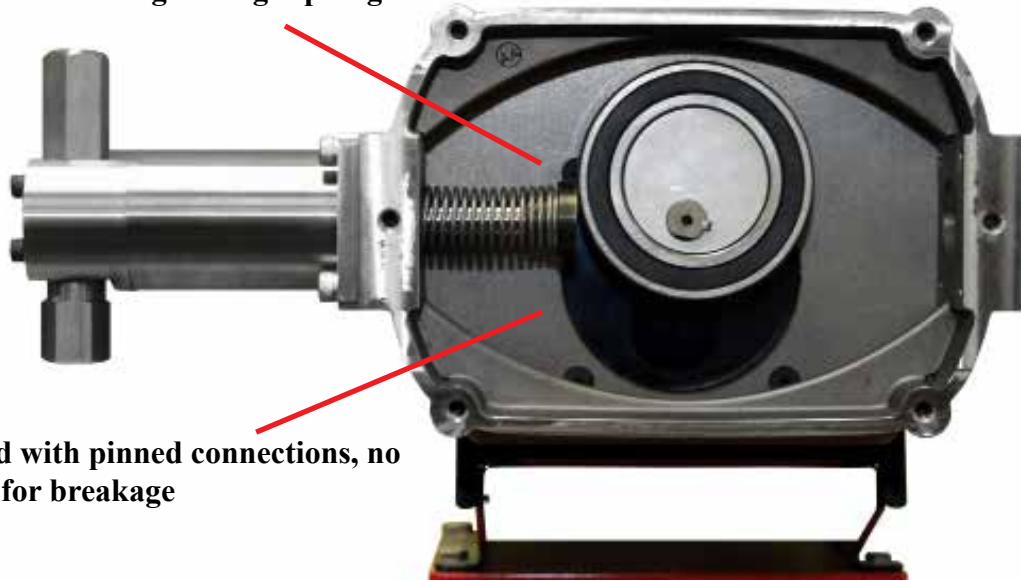


Our approach to designing a better pump resulted in less moving parts. Our direct drive plunger/cam arrangement eliminates the cross head and resulting alignment issues reducing plunger and seal wear. The cartridge style plunger head assembly & one piece plunger seal arrangement allows for ease of repair and ease of changing plunger sizes in less than 10 minutes. The spring return eliminates the motor having to pull the plunger back in the cycle reducing the amount of energy required to complete a full cycle.



Chemical Metering Pumps
www.sidewinderpumps.com

Direct cam drive eliminates crosshead and alignment issues resulting in longer plunger & seal life



No crosshead with pinned connections, no weak points for breakage

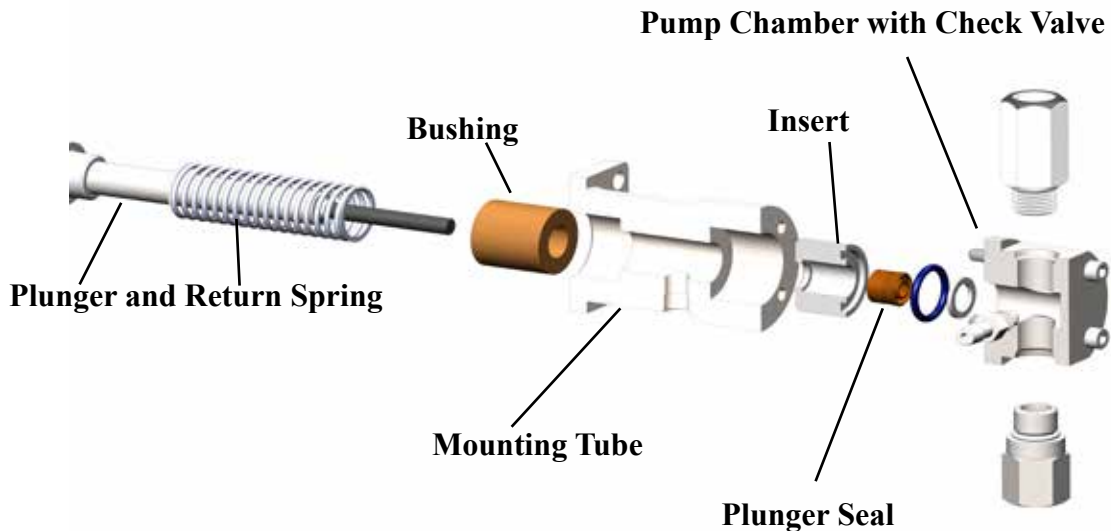
The unique pump base allows for mounting on surface of choice, whether direct to a skid or a pump stand. The pump base provides clearance and access to the check valves for tubing and repair without interference of the mounting surface



Cartridge style pump head allows for ease of repair in replacing plungers and seals. Plunger sizes can be changed in matter of minutes. System utilizes same packing elements as the Sidewinder pneumatic pumps



Chemical Metering Pumps
www.sidewinderpumps.com



Innovation is the name of the game, and Sidewinder is leading the way with our plunger and seal design. Sidewinder uses an insert that holds the plunger seal. To change plunger sizes, simply change the insert, plunger and plunger seal. Plungers come Ceramic coated as standard, providing excellent chemical resistance and wear life. The entire assembly is mounted to the drive housing using only 4 fasteners, and can be removed in matter of minutes.

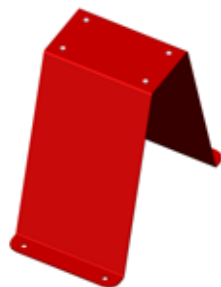


Sidewinder AC pumps use the same seal arrangements as our pneumatic pumps. Chevron or adjustable style packing allows the operator to over tighten the packing creating excessive drag on the plunger, resulting in greater energy draw, which shortens battery life. With our innovative design, seals can be changed in matter of minutes without having to dig them out with tools that can mar or damage the seal gland.



Chemical Metering Pumps
www.sidewinderpumps.com

AC Powered Chemical Pump Packages



**Optional pump stand,
dimensional same as many
competitor models, allow-
ing pump to be mounted
in existing packages**



Chemical Metering Pumps
www.sidewinderpumps.com



The Sidewinder Timer is practical and user friendly. It comes standard with a built-in temperature probe for Methanol applications. A data I/O port for Mod Bus communication allows for remote monitoring and metering control. The timer can be programmed to run in various configurations according to injection requirements. Dosing can be intermittent (scavenger type applications with smaller doses over shorter time period) or set for batch dosing (large doses over longer time period). Injection rates are achieved by combinations of the on/off cycles in either seconds (intermittent) or minutes (batch). Minimum pump output is 0.02 quarts/day (simplex 1/4" plunger 1 stroke per hour) to maximum of 588 quarts/day (duplex 1/2" plunger continuous 60 strokes per minute).

Specifications

<u>Max Flow Rates</u>	<u>Simplex</u>	<u>Duplex</u>
1/4"	18.35 GPD	36.70 GPD
3/8"	41.32 GPD	82.64 GPD
1/2"	73.50 GPD	147.0 GPD

<u>Max Pressure Ratings</u>	<u>0.22 HP Motor</u>
1/4"	5,000 PSI
3/8"	2,500 PSI
1/2"	1,500 PSI

Sidewinder Pumps Inc.
Lafayette, Louisiana USA
Office 337-235-9838
Website www.sidewinderpumps.com
email: info@sidewinderpumps.com



ITEM	CODE	DESCRIPTION
PLUNGER SIZE	4	1/4"
	6	3/8"
	8	1/2"
PLUNGER OPTIONS	/	BOTH SIDES STD CERAMIC COATED
	0	BOTH SIDES 17-4 SS
	L	LEFT SIDE 17-4 SS, RIGHT SIDE CERAMIC COATED
	R	LEFT SIDE CERAMIC COATED, RIGHT SIDE 17-4 SS
PLUNGER SEAL AND O-RING MATERIAL SELECTION	0	TEFLON GRAPHITE UNISEAL
	1	TECHNO UNISEAL (POLYMEDE)
	2	VITON O-RING
	3	BUNA O-RING
	4	TEFLON UNISEAL
	4B	TEFLON UNISEAL W/ BUNA O-RING INSERT
	4V	TEFLON UNISEAL W/ VITON O-RING INSERT
	5	CHEMRAZ O-RING
	6	HITEC O-RING (AFLAS)
	7	VIRGIN TEFLON O-RING
8	POLYBLEND UNISEAL	
9	CUSTOMER SPECIFIED	
OPTIONAL MATERIALS	0	17-4 STAINLESS STEEL
	1	303 STAINLESS STEEL
	2	316 STAINLESS STEEL
	3	440C STAINLESS STEEL
	4	CERAMIC
	5	HASTELLOY
6	TITANIUM	
9	CUSTOMER SPECIFIED	

AC 1-SIMPLEX; 2-DUPLEX

<input type="checkbox"/> PLUNGER SIZE	<input type="checkbox"/>	LEFT SIDE	<input type="checkbox"/> PLUNGER SIZE	<input type="checkbox"/>	RIGHT SIDE
<input type="checkbox"/> PLUNGER SEAL	<input type="checkbox"/>		<input type="checkbox"/> PLUNGER SEAL	<input type="checkbox"/>	
<input type="checkbox"/> CHECK VALVE & BODY SEAL	<input type="checkbox"/>		<input type="checkbox"/> CHECK VALVE & BODY SEAL	<input type="checkbox"/>	
<input type="checkbox"/> CHECK BALL	<input type="checkbox"/>		<input type="checkbox"/> CHECK BALL	<input type="checkbox"/>	
<input type="checkbox"/> WET END	<input type="checkbox"/>		<input type="checkbox"/> WET END	<input type="checkbox"/>	
<input type="checkbox"/> PLUNGER OPTIONS	<input type="checkbox"/>		<input type="checkbox"/> PLUNGER OPTIONS	<input type="checkbox"/>	
<input type="checkbox"/> PLUNGER SIZE	<input type="checkbox"/>		<input type="checkbox"/> PLUNGER SIZE	<input type="checkbox"/>	
<input type="checkbox"/> PLUNGER SEAL	<input type="checkbox"/>		<input type="checkbox"/> PLUNGER SEAL	<input type="checkbox"/>	
<input type="checkbox"/> CHECK VALVE & BODY SEAL	<input type="checkbox"/>		<input type="checkbox"/> CHECK VALVE & BODY SEAL	<input type="checkbox"/>	
<input type="checkbox"/> CHECK BALL	<input type="checkbox"/>		<input type="checkbox"/> CHECK BALL	<input type="checkbox"/>	
<input type="checkbox"/> WET END	<input type="checkbox"/>		<input type="checkbox"/> WET END	<input type="checkbox"/>	



Chemical Metering Pumps

www.sidewinderpumps.com

* STANDARD PUMP HAS 316SS WET END & 303 SS MOUNTING TUBE

** STANDARD PLUNGER IS CERAMIC COATED. ADD "S" TO SPECIFY PLAIN 17-4 PLUNGER.



Chemical Metering Pumps

www.sidewinderpumps.com

**Pneumatic Chemical Metering Pumps
Solar Powered Chemical Metering Pumps
Electric Powered Chemical Metering Pumps**

Lafayette, Louisiana

Office: 337-235-9838

Web Site: www.sidewinderpumps.com

email: info@sidewinderpumps.com

