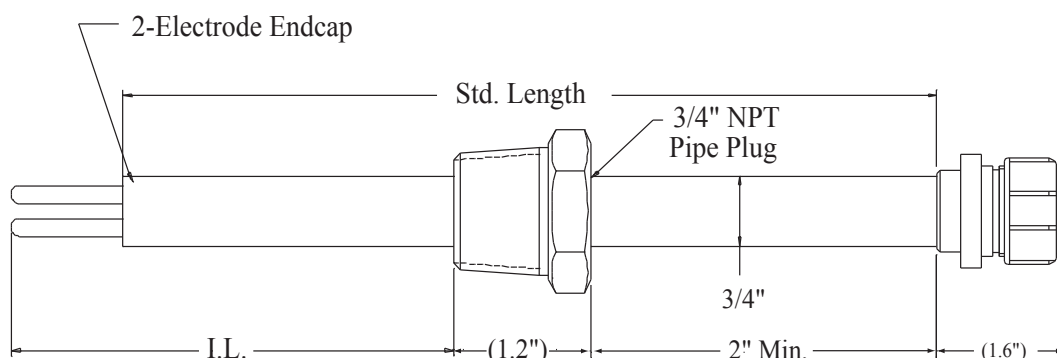


Model LP2000

Linear Polarization Resistance Probe Fixed Length with NPT Pipe Plug & 2-Electrode Endcap



Model LP2000 is a fixed-length, linear polarization resistance probe with an NPT pipe plug. The probe requires process isolation or process shutdown to install and a threaded pipe fitting to mount. The probe assembly consists of an insertion rod with a two-electrode endcap, a hermetically sealed connector, and an NPT pipe plug which are all welded in place. The insertion length (I.L.) is calculated to the end of the electrode and can be specified by the customer. For standard probes, the maximum insertion length is given in the chart below. Electrodes are ordered separately. Several standard electrodes are available to meet your specific needs.

Specifications:

Probe Body - 316 Stainless Steel or C276

Endcap Seal - Glass

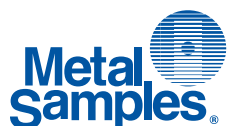
Fill Material - Epoxy

Temperature Rating - 500°F / 260°C

Pressure Rating - 3000 PSI / 204 Bar

Mounting - 3/4" or 1" NPT Pipe Plug

Std. Length	IL (max)
6"	4.05"
8"	6.05"
12"	10.05"
18"	16.05"



Metal Samples Company

A Division of Alabama Specialty Products, Inc.

152 Metal Samples Rd., Munford, AL 36268 Phone: (256) 358-4202 Fax: (256) 358-4515

E-mail: msc@alspi.com Internet: www.metalsamples.com

Houston Office: 6327 Teal Mist Lane, Fulshear, TX 77441 Phone: (832) 451-6825

LP2000 Ordering Information

Model							
LP2	Linear Polarization Fixed Length Pipe Plug Probe						
	Pipe Plug Size						
	2	3/4" NPT					
	3	1" NPT					
	Probe Body Material						
	22	316					
	44	C276					
	LP Electrode Options						
	20	Two-electrode integral type					
	Seal Type						
	1	Glass					
	Length						
	06	4.05" max. insertion length					
	08	6.05" max. insertion length					
12	10.05" max. insertion length						
18	16.05" max. insertion length						
Options							
000	None						
LP2	2	22	20	1	08	000	Example of Probe Ordering #

Electrode Part Number - EL400XXX2800000 (XXX - use Code in Alloy Chart)
 LPR probe electrodes are replaceable and sold separately. See [Electrodes](#).

Alloy Chart		
Code	Description	UNS #
375	C1010	G10100
419	CDA110	C11000
434	CDA443	C44300
159	316L S.S.	S31603

For alloys, sizes, or other special requirements not listed, contact our sales department.
 Note: Not all alloys are available with all element types and seals.